



## Metric Wheel

Metric wheels are used with encoders mainly for length measuring applications and the accuracy is given by the ratio between the wheel circumference and encoder's resolution, e.g.:

500 mm / 8192 CPR = 0.061 mm per code

500 mm / 10000 PPR = 0.05 mm per pulse

### APPLICATIONS

- Length measurement and positioning



#### MECHANICAL AND ENVIRONMENTAL SPECIFICATIONS

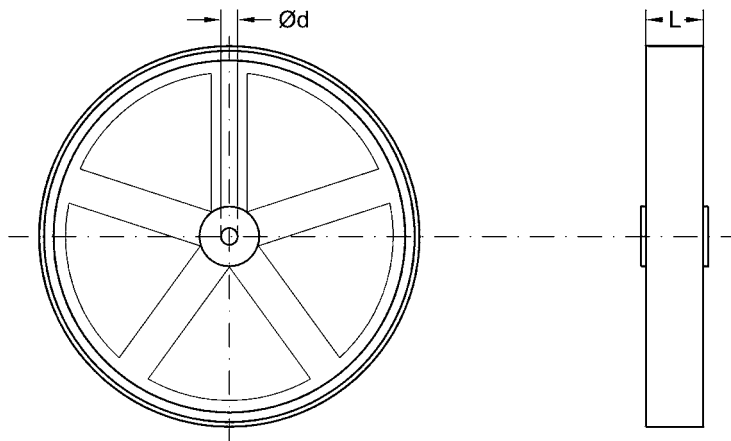
<b>Wheel material</b>	Plastic	
<b>Wheel surface</b>	Rubber (notched)	
<b>Circumference</b>	200 mm	500 mm
<b>Diameter</b>	63 mm	159 mm
<b>Thickness</b>	12 mm	24 mm
<b>Hole diameter</b>	Ø6 mm	Ø10 mm
<b>Operating temperature</b>	-25 to +85°C (-13 to 185°F)	
<b>Storage temperature</b>	-25 to +85°C (-13 to 185°F), 98% R.H. non condensing	



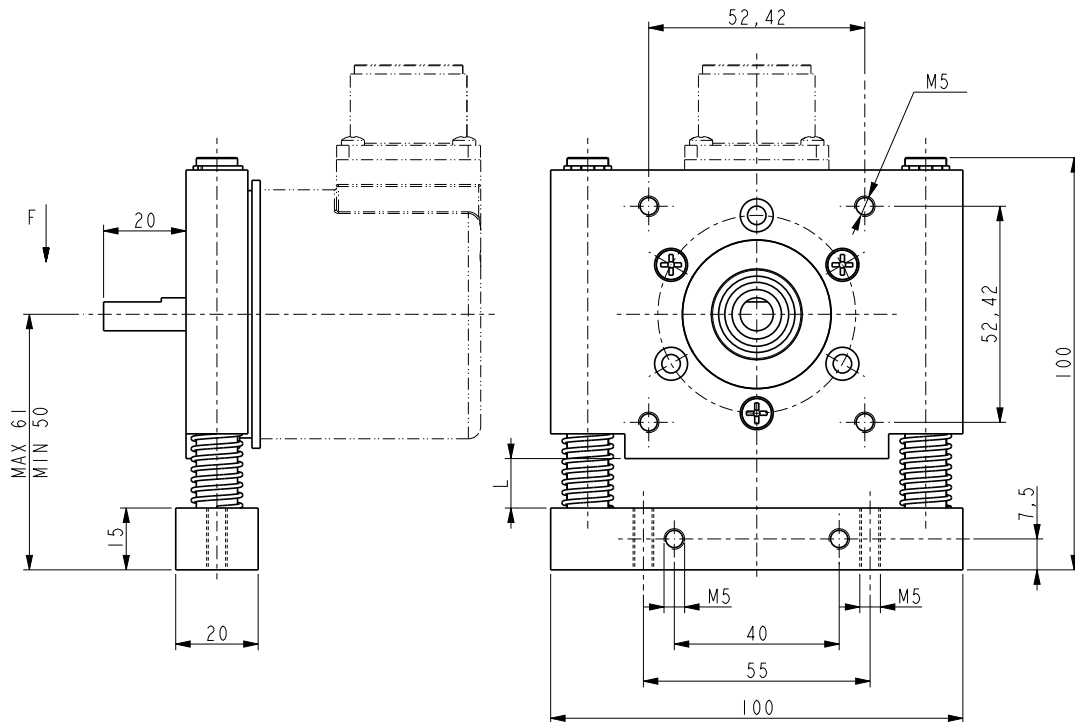
MODEL SELECTION

DESCRIPTION	MODEL	ORDER NO.
Encoder metric wheel with circumference 200 mm	MW-200-D6	95B081480
Encoder metric wheel with circumference 500 mm	MW-500-D10	95B081490
Encoder metric wheel support with springs	MW-500-SPRING	95B081800

DIMENSIONS



MW-200 ( $\varnothing d=6\text{mm}$ ,  $L=12\text{mm}$ )  
 MW-500 ( $\varnothing d=10\text{mm}$ ,  $L=24\text{mm}$ )



MW-500-SPRING