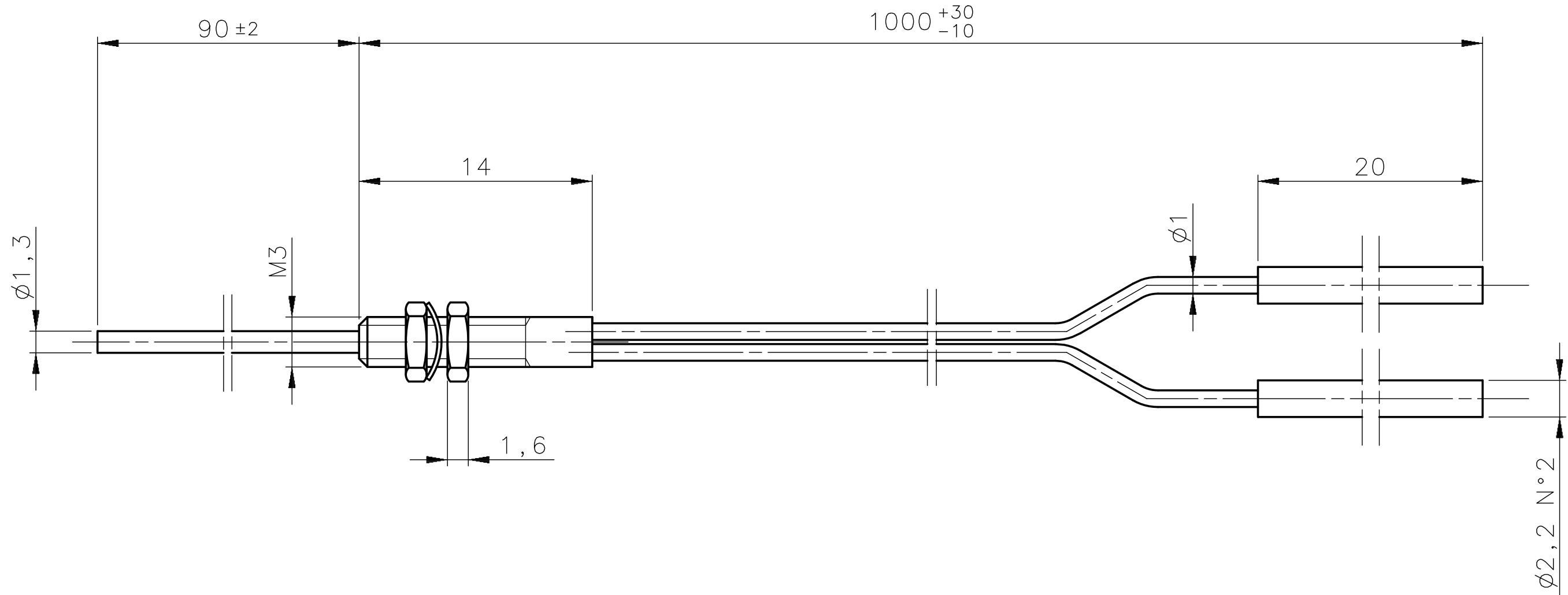


This document technical information and specification contained herein are proprietary and must not be used copied reproduced or otherwise dealt with nor communicated to others except in accordance with the specific conditions of use. This document contains confidential information and its use is restricted to the specific conditions of use.



1	A	GUERMANDI	INSERIMENTO TOLLERANZE E RISISTEMAZIONE QUOTE	4/4/2000	R.OTTAVIANI			
MOD.	REV.	PROPOSTA	DESCRIZIONE	DATA	FIRMA			
QUOTE SENZA TOLLERANZA GRADO DI PRECISIONE:			NOTE					
GRADO DI PRECISIONE	GRUPPI DI DIMENSIONI					TRATT.	SCALA	
	> 0 A 6	> 6 A 30	> 30 A 120	> 120 A 315	> 315 A 999			
MEDIO	±0.1	±0.2	±0.3	±0.5	±0.8	DIS.DA L.CONTI	DATA 28.10.91	APPROV.
PRECISO	±0.05	±0.1	±0.15	±0.2	±0.3	DENOMINAZIONE		STAMPO
I.E.S. s.p.a. Industrie Elettroniche Sensor Via Lavino, 265 (Monte S.Pietro) Bologna-Italy TEL.051/6765611 - FAX 051/6759324						DIMENSIONI D'INGOMBRO FIBRA OF28-10		CODICE SIGLA DIM-0047
								REV. A