

# C30FT

## M30 CAPACITIVE SENSOR FOR FOOD & BEVERAGE



- Sensors for food and beverage applications
- High noise immunity
- IO-Link communication
- ECOLAB certified sensors
- IP69K mechanical protection



### CODE DESCRIPTION

			C30FT / B P - 2 A IO
series	<b>C30FT</b>	M30 capacitive sensors for food and beverage	
output	<b>B</b>	NO + NC complementary output	
logic	<b>P</b>	PNP logic	
shielded / unshielded	<b>2</b>	Shielded Installation	
	<b>4</b>	Unshielded Installation	
cable / plug	<b>E</b>	M12 plug exit	
	<b>A</b>	2 m cable exit	
IO-Link	<b>IO</b>	IO-Link	

### AVAILABLE MODELS

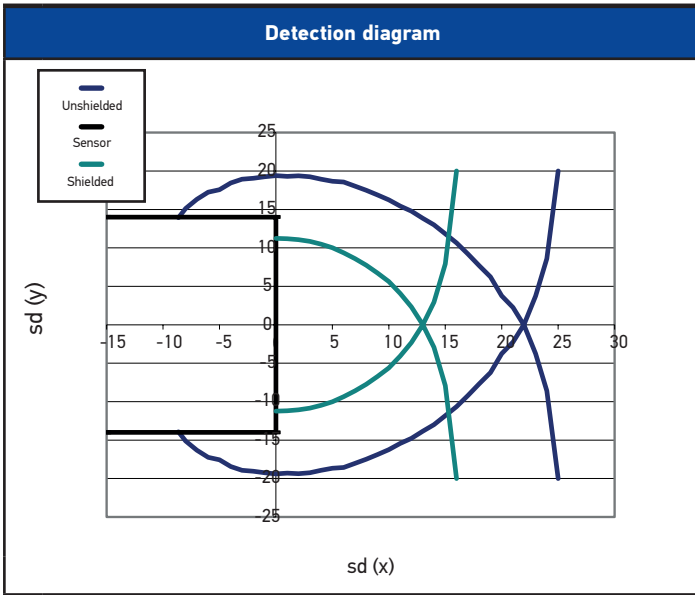
DISTANCE	INSTALLATION	CONNECTIONS	PART NUMBER
16 mm	shielded	2 m cable	<b>C30FT/BP-2AIO</b>
		M12 plug	<b>C30FT/BP-2EIO</b>
25 mm	unshielded	2 m cable	<b>C30FT/BP-4AIO</b>
		M12 plug	<b>C30FT/BP-4EIO</b>

## TECHNICAL FEATURES

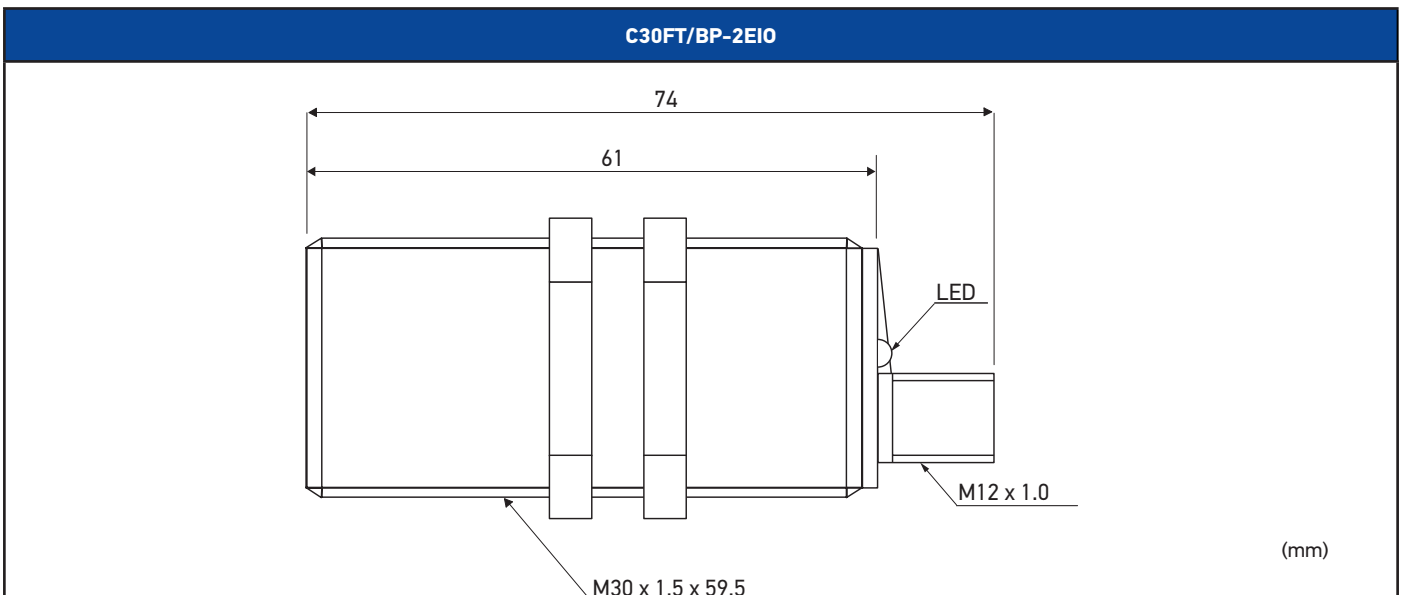
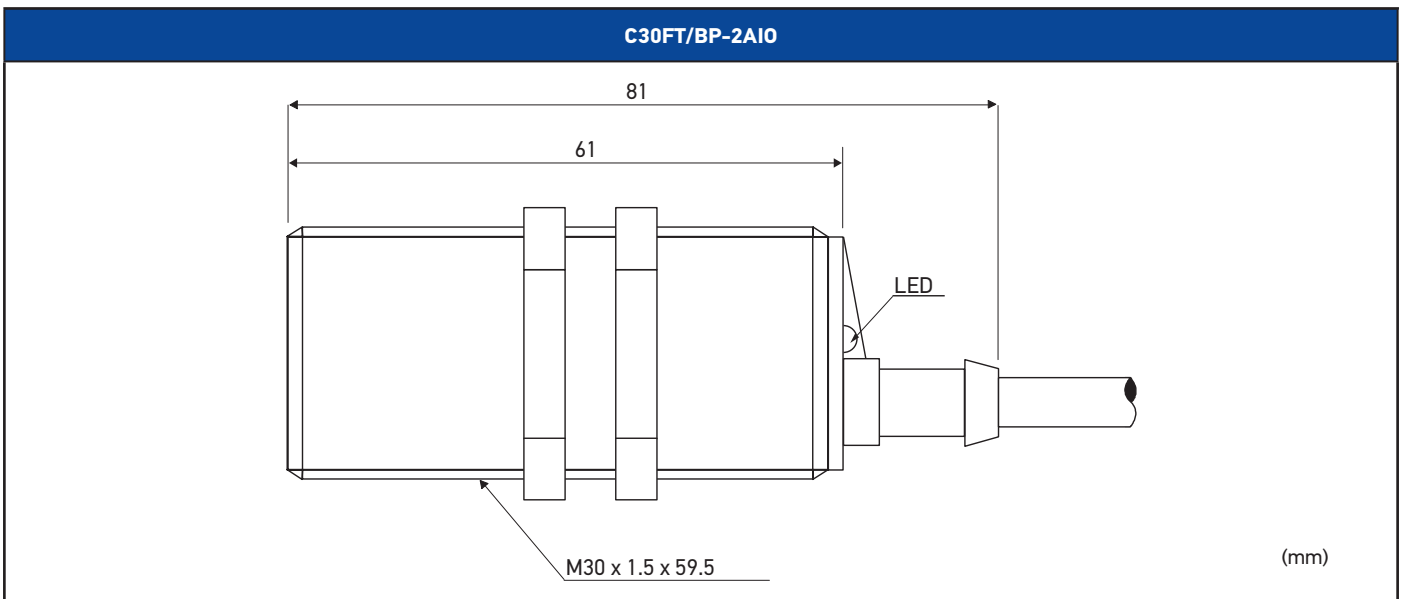
	C30FT/*2*	C30FT/*4*
Nominal sensing distance	16 mm	25 mm
Mounting	Shielded	Unshielded
Hysteresis	≤ 20%	
Repeatability	5%	
Operating voltage	10...40Vdc	
Max ripple content	≤ 10%	
No-load supply current	≤ 20mA	
Load Current	≤ 200mA	
Output voltage drop Ud	≤ 1.0 VDC @ 200 mA DC	
Output type	NO+NC/IO-Link	
Switching frequency	50Hz	
Power on delay	≤300ms	
Power supply protections	polarity reversal, impulsive overvoltage	
Output protection	autoreset reversal, impulsive overvoltage	
Sensitivity adjustment	trimmer + IO-Link	
Storage temperature	-40°C...+85°C	
Operating temperature range	-30°C...+85°C (without freeze)	
Temperature drift	< 20%	
EMC	EN60947-1; IEC 61000-4-2; IEC 61000-4-3; IEC 61000-4-4	
Protection degree	IP68, IP69K	
LEDs	Yellow LED (object detected), green LED power supply/stability	
Housing material	PTFE	
Active head material	PTFE	
Weight	103g connector; 180g cable	
Tightening torque	≤ 2 Nm	
Approvals	CE cULus IO-Link ECOLAB	

# RESPONSE DIAGRAMS

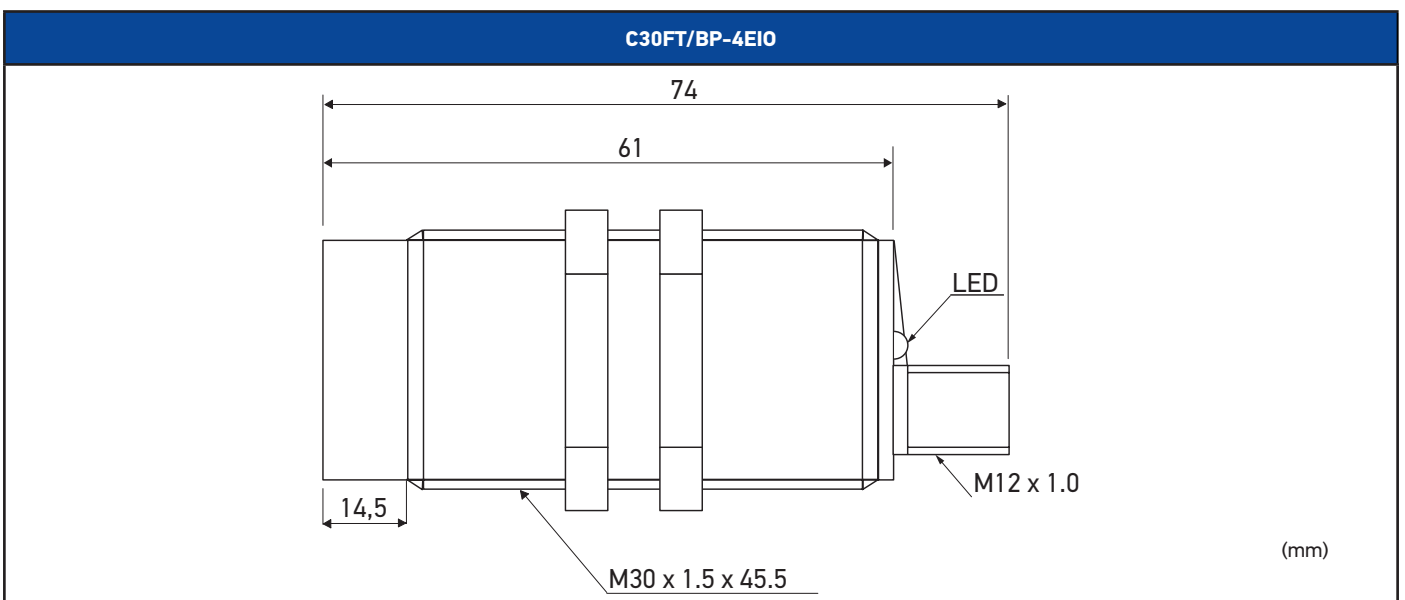
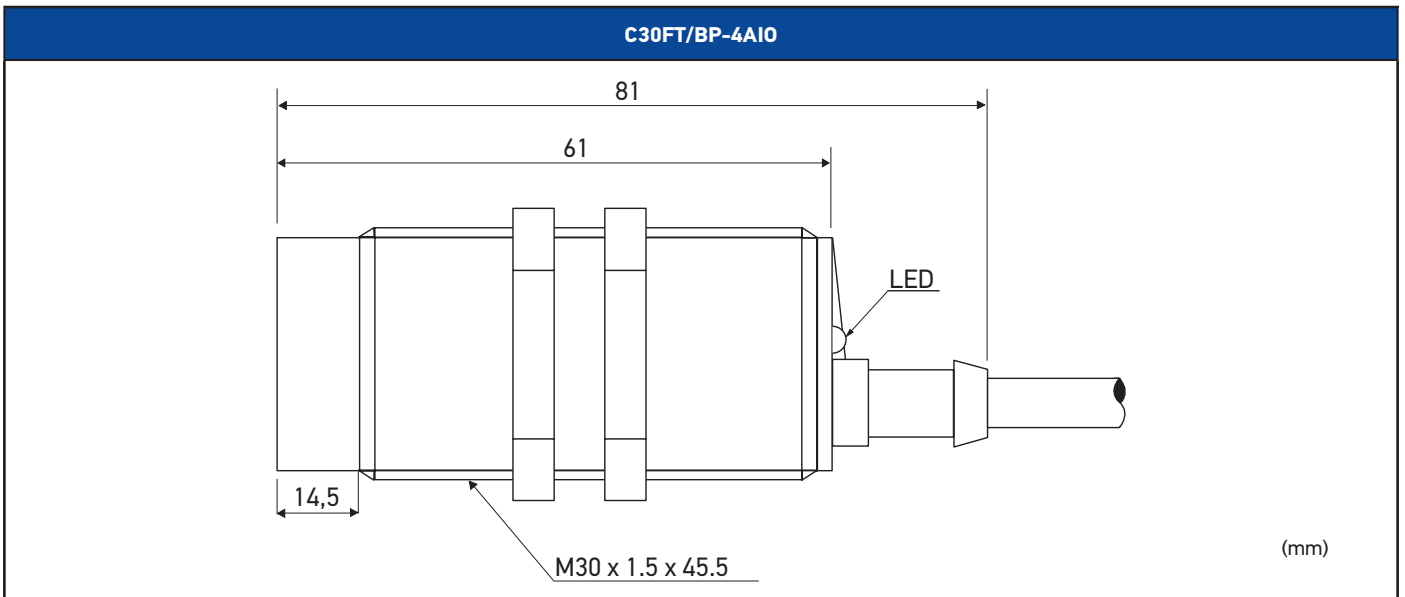
## C30FT/BP-\*\*10



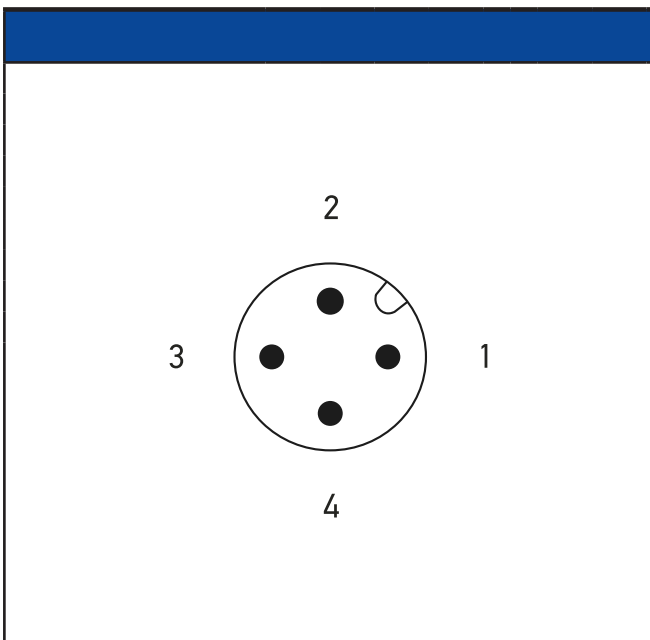
# DIMENSIONS



# DIMENSIONS



# CONNECTION DIAGRAMS



# ELECTRICAL DIAGRAMS OF CONNECTION

