



BX04-BX10

BX10S/00-HB6X

Area Sen, H=90mm-10mm pitch, Emitter
MEDIUM RESOLUTION AREA SENSORS

OVERVIEW

- IP67 protection degree (IP69K special model)
- Complete protection against electrical damages
- Detection of objects with irregular shape
- ATEX models, cat. 2 and cat. 3, available on request
- LED indicators
- Crossed beams detection



TECHNICAL FEATURES

Detection properties

Nominal sensing distance	0,3 ... 4m
Thermal drift of Sr	≤10%
Beams space	10mm
controlled height	90mm
minimum detectable object	Ø 5mm

number of rays	10
----------------	----

Sensitivity adjustment	Trimmer
------------------------	---------

Application

Function Principle	Emitter
--------------------	---------

Outputs

Output type	Emitter
-------------	---------

Output Function	Emitter
-----------------	---------

Electrical data

Operating Voltage	10...26VDC
-------------------	------------

No-Load supply current	25mA
------------------------	------

Max ripple content	≤ 10%
--------------------	-------

LED indicators	Green (powerON)
----------------	-----------------

Time delay before availability	≤ 85ms
--------------------------------	--------

Reverse Polarity Protection	Yes
-----------------------------	-----

Emission	Infrared
----------	----------

Interference to external light	1000lux (incandescent lamp), 1500lux (sunlight)
--------------------------------	---

Mechanical data

Dimensions	45mm x 145mm x 20mm
------------	---------------------

Weight	115g
--------	------

Housing Material	PBT
Connections	M12 Plug
Active Head Material	PC
Tightening torque	25Nm
Operating temperature	0°C...+ 50° C (without freeze)

Test/Approvals

Approvals	CE cULus
EMC compatibility	EN 60947-5-2
Degree of protection	IP67

Accessories

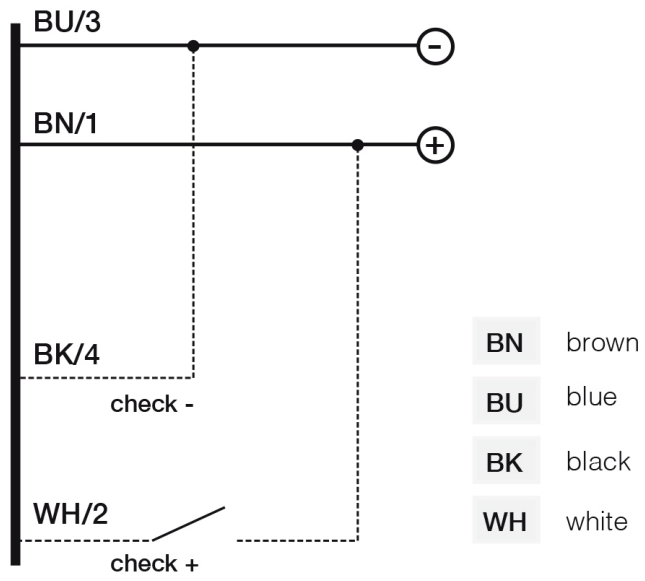
Supplied Accessories	2 nuts M18x1 - 1 adjustment key - 1 90°angled brackets
----------------------	--

Generical Data

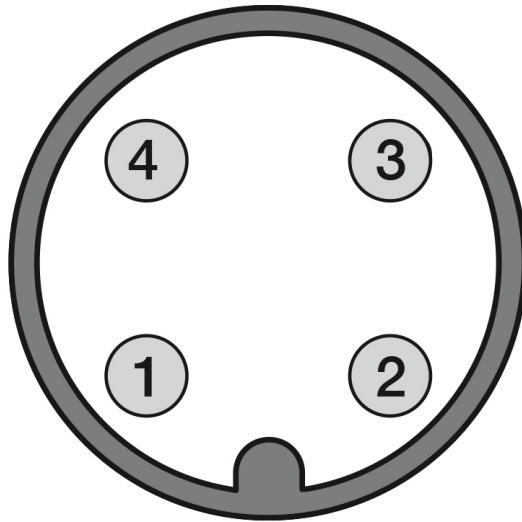
Dimensions	45x145x20
Operating Temperature	0°C...+ 50° C (without freeze)
Mechanical Protection	IP67

CONNECTIONS

Electrical diagram

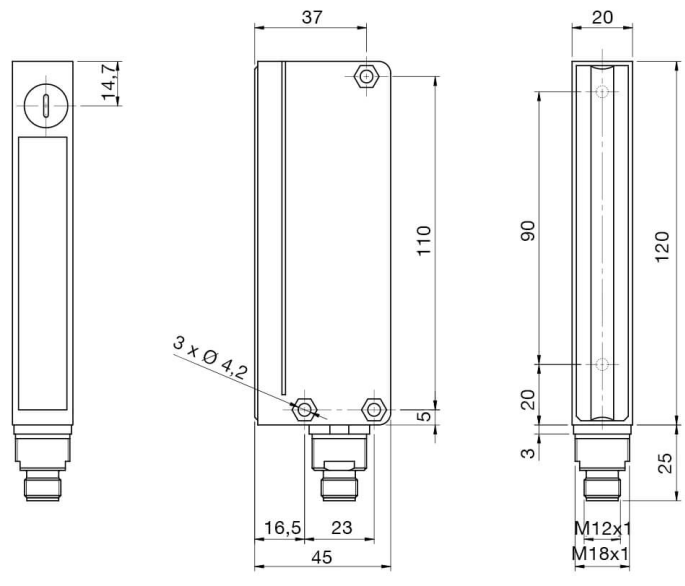


Connector



OTHERS

Dimensions



**Datasensing
S.r.l.**

Strada S.Caterina, 235
41122 Modena (MO)
Tel. 059 420411
Fax 059 253973
E-mail
info@datasensing.com

**date of
printing**
31/03/2025
11:13:44