



CR

CR0/0B-1V

Area Sen, H=69mm-10mm pitch, Reflex
RETROREFLECTIVE POLARIZED AREA SENSORS

OVERVIEW

- Area height controlled 69 mm
- Maximum operative distance up to 4.5 m
- Minimum object detection diam. 6mm
- Two teach-in types: fine and standard
- Optical pitch 10mm
- Protection degree IP67
- Blanking function



TECHNICAL FEATURES

Detection properties

Nominal sensing distance	0,2 ... 4,5m (with RL106G)
Thermal drift of Sr	≤10%
Beams space	10mm
controlled height	69mm
minimum detectable object	Ø 3...7mm @ 2m RL106G - Ø 3...16mm @ 4,5m RL106G

number of rays	6
----------------	---

Sensitivity adjustment	Teach in: fine < 3s; standard > 6s
------------------------	------------------------------------

Application

Function Principle	Retroreflective polarized area sensor
--------------------	---------------------------------------

Outputs

Output type	NPN + PNP
-------------	-----------

Output Function	NO/NC
-----------------	-------

Switching frequency	400Hz
---------------------	-------

Electrical data

Operating Voltage	12...30VDC
-------------------	------------

No-Load supply current	100mA
------------------------	-------

Load current	160mA
--------------	-------

Leakage current	$\leq 1\mu\text{A}$
-----------------	---------------------

Output voltage drop	1,6Vdc @ 100mA
---------------------	----------------

Max ripple content	$\leq 10\%$
--------------------	-------------

LED indicators	green: power supply-alignment; red: dark/light status
----------------	---

Time delay before availability	< 300ms
--------------------------------	---------

Short-circuit protection	Yes (autoreset)
--------------------------	-----------------

Reverse Polarity Protection	Yes
Emission	Red (617nm)
Interference to external light	5000lux (fluorescent lamp); 50000lux (sun light)
Impulsive Overvoltage Protection	Yes

Mechanical data

Dimensions	107mm x 20mm x 36mm
Weight	100g
Housing Material	Aluminim
Connections	M12 5pin + cable PVC 200mm
Active Head Material	PMMA
Operating temperature	-10°C...+ 55° C (without freeze)

Test/Approvals

Approvals	CE, cULus,UKCA
EMC compatibility	EN 60947-5-2
Shocks and vibrations	IEC EN 60947-5-2 / 7.4
Degree of protection	IP67

Accessories

Supplied Accessories	RL106G reflector + fixing kit (ST151)
----------------------	---------------------------------------

Generical Data

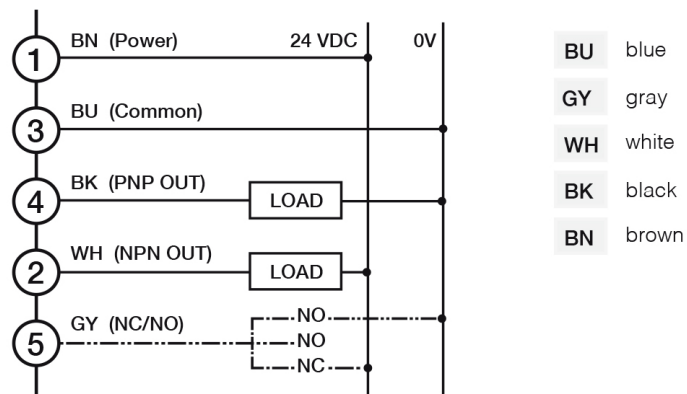
Dimensions 107x20x36

Operating Temperature -10°C...+ 55° C (without freeze)

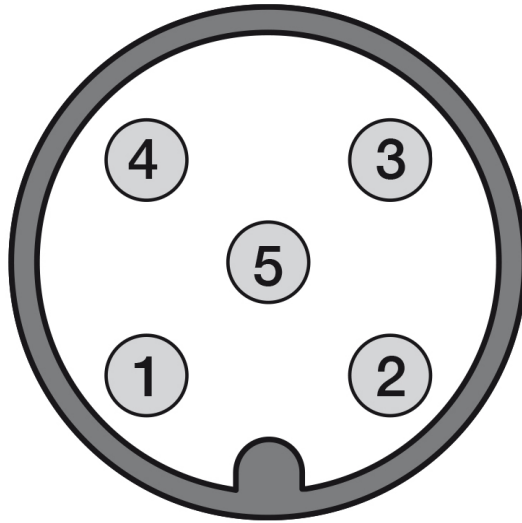
Mechanical Protection IP67

CONNECTIONS

Electrical diagram

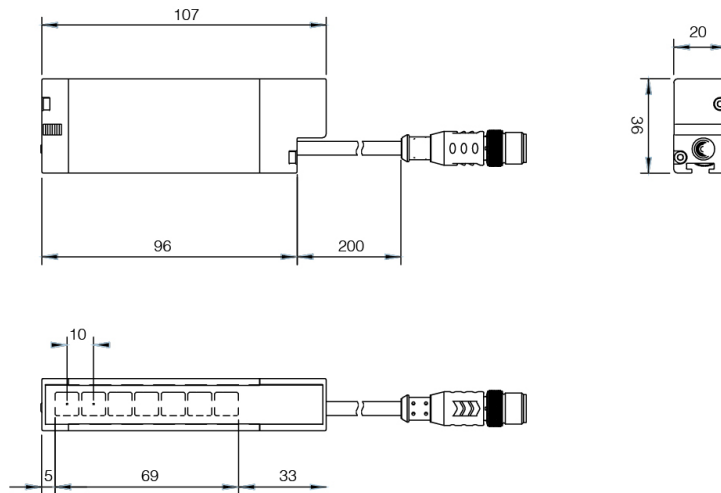


Connector



OTHERS

Dimensions



Datasensing S.r.l.

Strada S.Caterina, 235
41122 Modena (MO)
Tel. 059 420411
Fax 059 253973
E-mail
info@datasensing.com

**date of
printing**
21/02/2025
16:50:46