



FM

FMES/CN-3F

Ind.M8,NPN-NC,M8 plug,Sch-LD

M5 - M8 - M12 - M18 - M30 INDUCTIVE SENSORS WITH FULL METAL HOUSING

OVERVIEW



TECHNICAL FEATURES

Detection properties

Nominal sensing distance	2mm
Operating distance	0...1,62mm
Standard target	8x8mm FE360
Correction Factor	copper: 0 / aluminium: 0 / brass: 0 / stainless steel: 0,3
Thermal drift of Sr	< 10%
Repeat Accuracy	< 5% (UB 24V Ta=23°C ±5°C)
Hysteresis	1 ... 20%

Application

Description	M8 short flush mount
-------------	----------------------

Functions	Proximity
-----------	-----------

Outputs

Output type	NPN
-------------	-----

Output Function	NC
-----------------	----

Switching frequency	250Hz
---------------------	-------

Electrical data

Operating Voltage	10...30Vdc
-------------------	------------

No-Load supply current	$\leq 10\text{mA}$
------------------------	--------------------

Load current	$\leq 200\text{mA}$
--------------	---------------------

Leakage current	$\leq 10\mu\text{A}$
-----------------	----------------------

Output voltage drop	$\leq 1,5\text{V @}200\text{mA}$
---------------------	----------------------------------

Max ripple content	$\leq 10\%$
--------------------	-------------

LED indicators	Yellow LED output state
----------------	-------------------------

Time delay before availability	$\leq 50\text{ms}$
--------------------------------	--------------------

Short-circuit protection	Yes
--------------------------	-----

Reverse Polarity Protection	Yes
-----------------------------	-----

Impulsive Overvoltage Protection	Yes
Protection against inductive loads	Yes

Mechanical data

Mounting	Shielded
Dimensions	M8 x 1 / L = 29,4mm
Weight	4g
Housing Material	AISI316L Stainless Steel
Connections	M8 Plug
Active Head Material	stainless steel AISI316L
Tightening torque	5Nm
Operating temperature	-25°C...+70°C
Material	AISI316L Stainless Steel
0,25mm	0,25mm
Diameter/Dimension	M8

Test/Approvals

Approvals	CE cULus
EMC compatibility	IEC 60947-5-2
Shocks and vibrations	Vibration IEC 60068-2-6 / Shock IEC 60068-2-27
Degree of protection	IP68, IP69K

IK05

IK05

80bar

80bar

Accessories

Supplied Accessories

2 nuts M8x1

Generical Data

Dimensions

M8 x 1 / L = 29,4mm

Operating Temperature

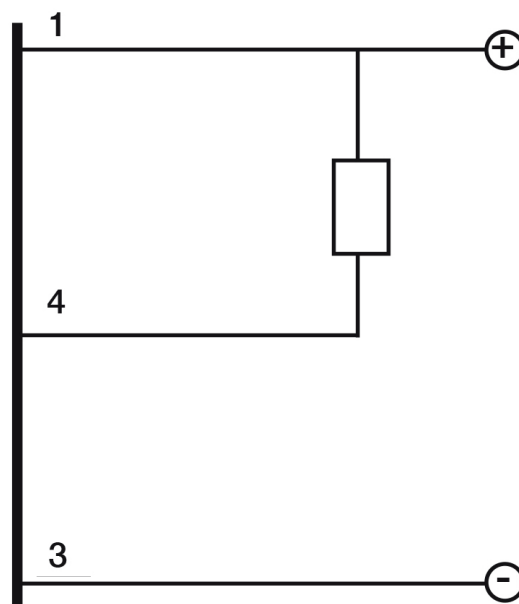
-25°C...+70°C

Mechanical Protection

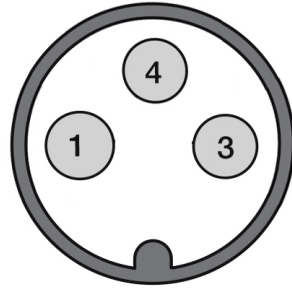
IP68 / IP69K

CONNECTIONS

Electrical diagram

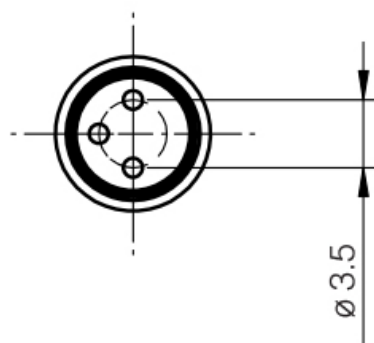
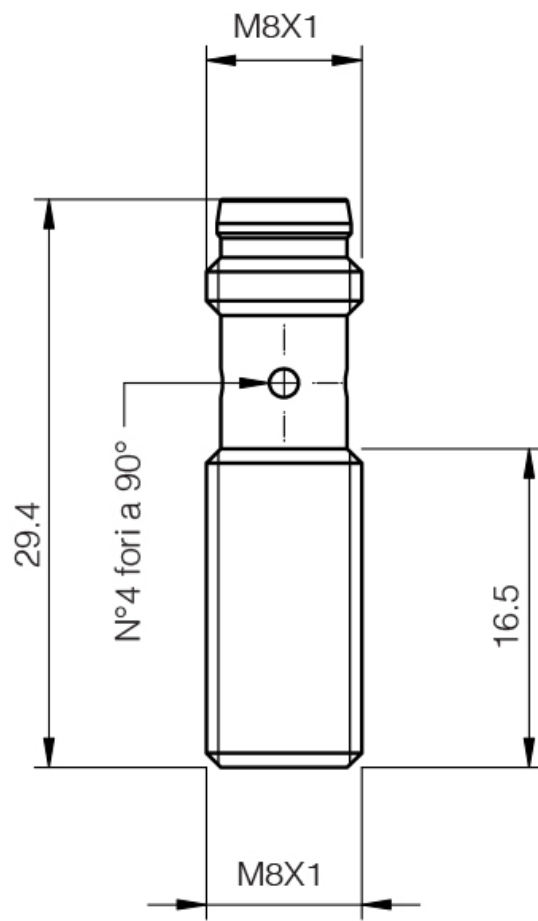


Connector

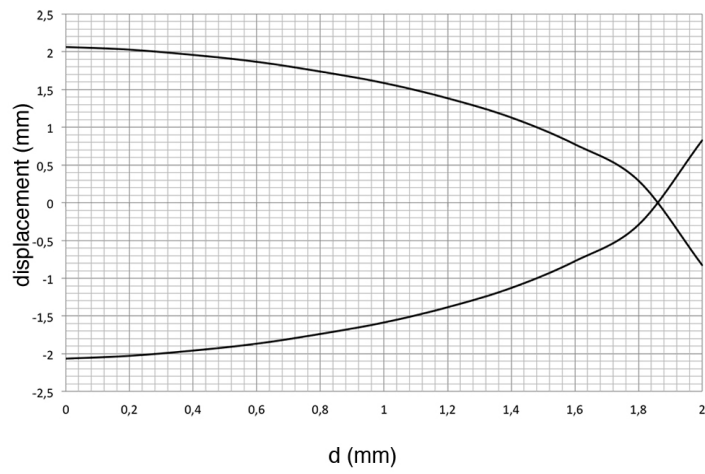


OTHERS

Dimensions



Response curves



**Datasensing
S.r.l.**

Strada S.Caterina, 235
41122 Modena (MO)
Tel. 059 420411
Fax 059 253973
E-mail
info@datasensing.com

**date of
printing**
25/04/2025
11:09:11